

DRIVER \_\_\_\_\_  
 DATE \_\_\_\_\_ TRACK \_\_\_\_\_  
 EVENT \_\_\_\_\_

**TUNING**

**TYRES**

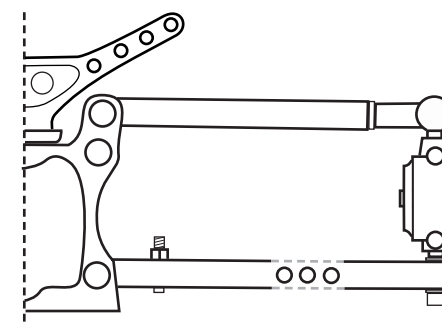
FRONT TYRE \_\_\_\_\_ WHEEL \_\_\_\_\_ INSERT \_\_\_\_\_ LENGTH \_\_\_\_\_  
 REAR TYRE \_\_\_\_\_ WHEEL \_\_\_\_\_ INSERT \_\_\_\_\_ LENGTH \_\_\_\_\_

**FRONT**

CAMBER \_\_\_\_\_ °

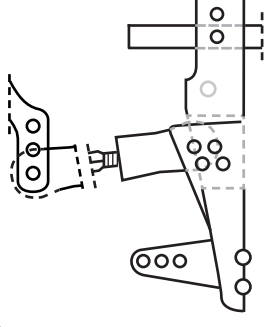
WHEEL HUBS  
 ALUM  STEEL  
 WIDE  MED  LEAN

\_\_\_\_\_ MM  
 \_\_\_\_\_ MM  
 DROOP \_\_\_\_\_ MM  
 RIDE HEIGHT \_\_\_\_\_ MM



**ACKERMANN**

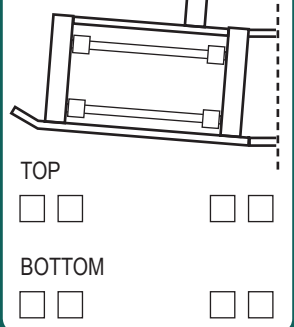
TOE-IN \_\_\_\_\_ °



**CASTER**

TOP

BOTTOM

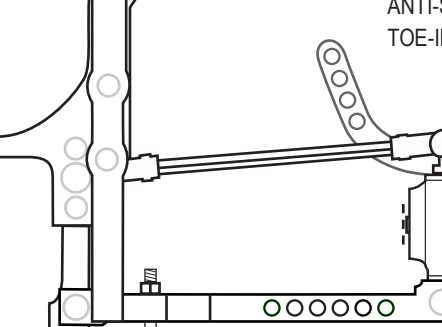


**REAR**

WHEELBASE  LONG  MED  SHORT  
 CAMBER \_\_\_\_\_ °  
 ANTI-SQUAT  0°  4°  
 TOE-IN  2°  4°

WHEEL HUBS  
 ALUM  STEEL  
 WIDE  MED  LEAN

\_\_\_\_\_ MM  
 \_\_\_\_\_ MM  
 DROOP \_\_\_\_\_ MM  
 RIDE HEIGHT \_\_\_\_\_ MM



**FRONT**

SHORT  
 LONG  
 \_\_\_\_\_ HOLES  
 \_\_\_\_\_ MM

\_\_\_\_\_ CAP  
 \_\_\_\_\_ PISTON  
 \_\_\_\_\_ BODY  
 \_\_\_\_\_ OIL  
 \_\_\_\_\_ / \_\_\_\_\_ SPRING  
 \_\_\_\_\_ / \_\_\_\_\_ SPRING LENGTH


SHORT  
 LONG

\_\_\_\_\_ SHOCK END  
 \_\_\_\_\_ COMMENT

**REAR**

SHORT  
 LONG  
 \_\_\_\_\_ HOLES  
 \_\_\_\_\_ MM

\_\_\_\_\_ SHOCK END  
 \_\_\_\_\_ COMMENT



**DRIVE**

ENGINE NAME \_\_\_\_\_ CAPACITY \_\_\_\_\_ CCM

EXHAUST NAME \_\_\_\_\_

CLUTCH NAME \_\_\_\_\_ ENGAGING AT \_\_\_\_\_ RPM

GEARS MAIN GEAR \_\_\_\_\_ T PINION \_\_\_\_\_ T DIFF. PINION \_\_\_\_\_ T  
 DIFF. GEAR \_\_\_\_\_ T DIFF. FILL \_\_\_\_\_

**CHASSIS**

CHASSIS STIFFENERS  LONG  SHORT  
 FUEL TANK POSITION  LINKS  RECHTS  
 BATTERY POSITION \_\_\_\_\_

**TRACK**

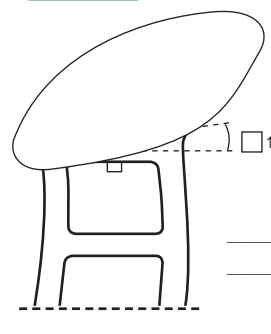
SMOOTH  SANDY  
 BUMPY  SOFT DIRT  
 LOW TRACTION  GRASS  
 MED TRACTION  BLUEGROOVE  
 HIGH TRACTION  CLAY  
 WET  ASTROTURF  
 DRY  OTHER

RESULT / QUALY \_\_\_\_\_  
 LAP TIME \_\_\_\_\_

**WING**

\_\_\_\_\_ 15°  20°  25°

COMMENT \_\_\_\_\_  
 \_\_\_\_\_



**BRAKES**

STOCK REAR-ONLY BRAKE   
 CABLE OPERATED DISK BRAKE   
 HYDRAULICALLY OP. DISK BRAKE

FRONT  REAR

BRAND \_\_\_\_\_  
 DISK MATERIAL \_\_\_\_\_  
 OIL BRAND \_\_\_\_\_  
 BRAKE LOAD DISTRIBUTION  
 FRONT \_\_\_\_\_ % REAR \_\_\_\_\_ %